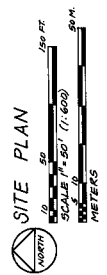
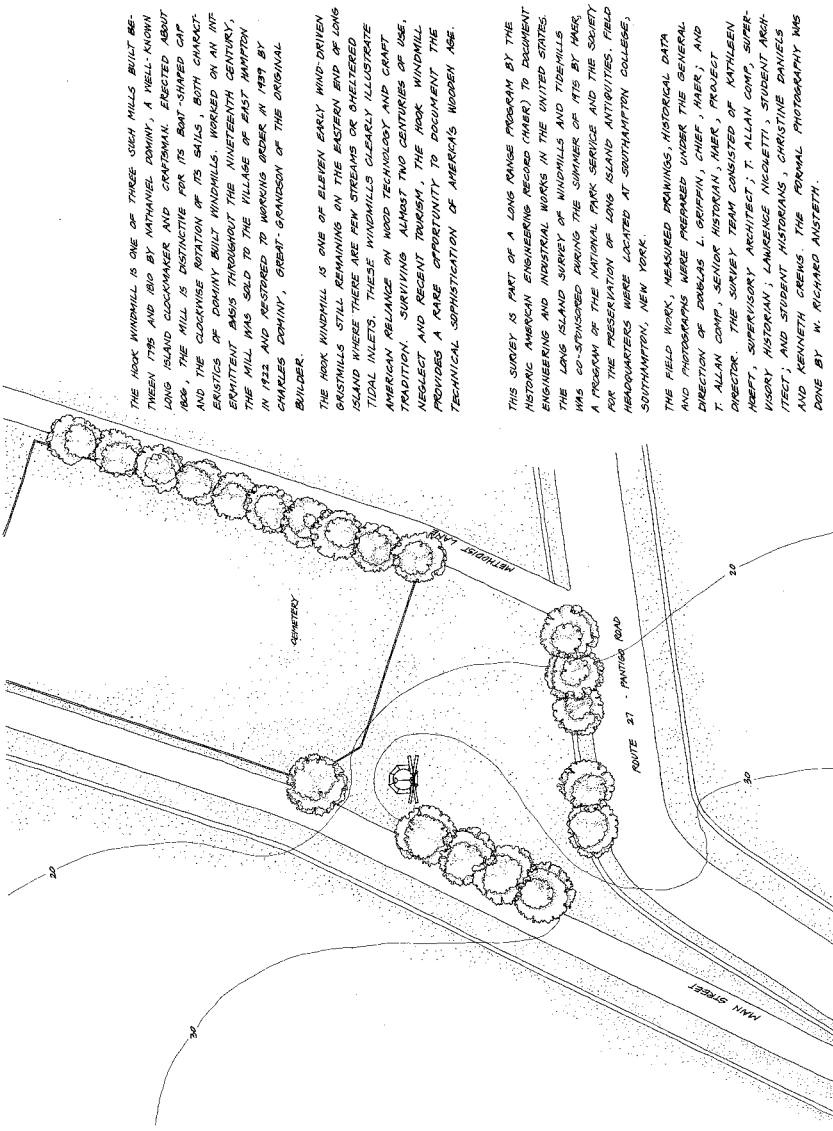
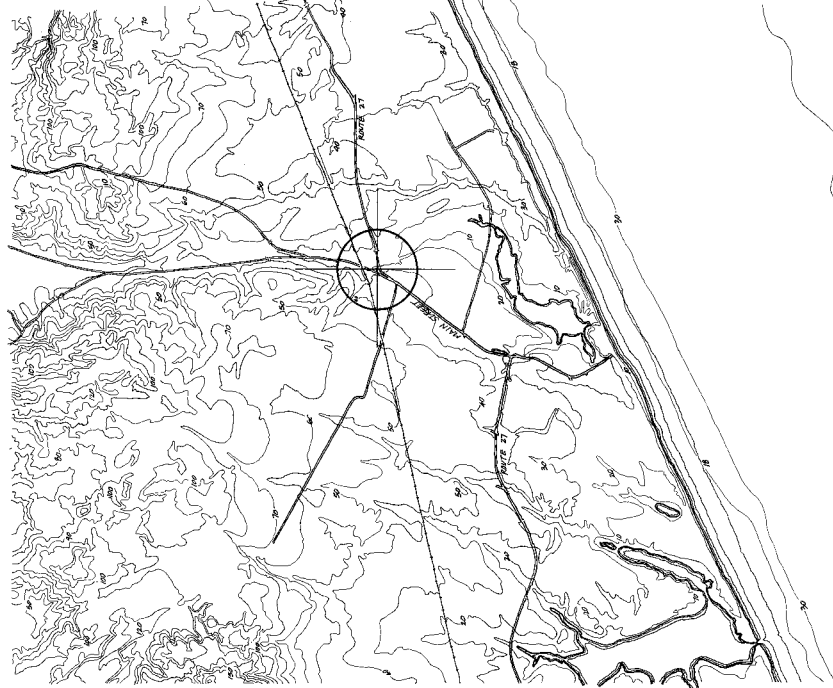


THE HOOK WINDMILL - 1806

EAST HAMPTON, LONG ISLAND, NEW YORK



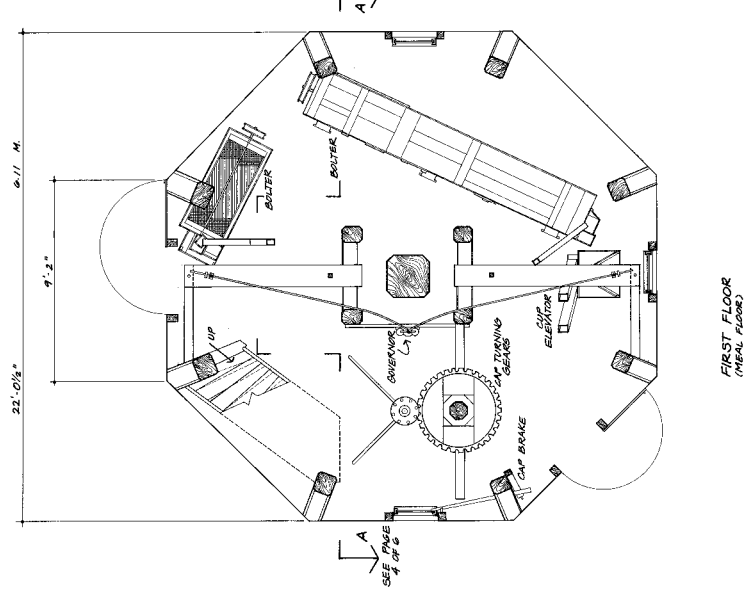
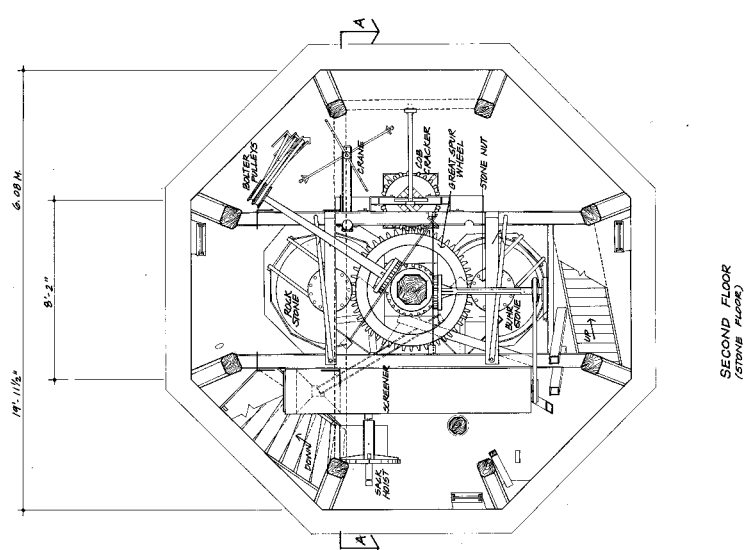
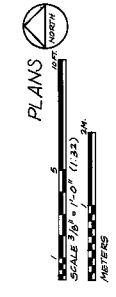
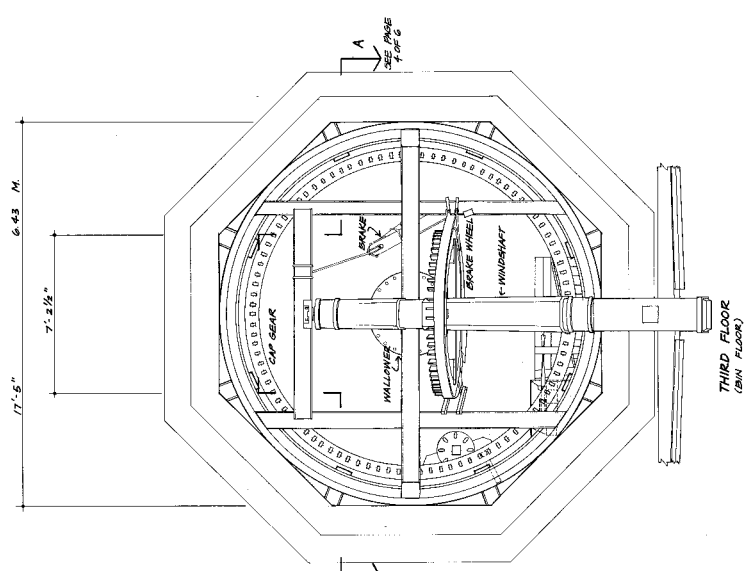
THE HOOK WINDMILL IS ONE OF THREE SUCH MILLS BUILT BETWEEN 1775 AND 1810 BY MANUEL DOMINY, A WELL-KNOWN LONG ISLAND CLOCKMAKER AND CRAFTSMAN. ERECTED ABOUT 1806, THE MILL IS DISTINCTIVE FOR ITS BOAT-SHAPED CAP AND THE CLOCKWISE ROTATION OF ITS SALES, BOTH CHARACTERISTICS OF DOMINY BUILT WINDMILLS. WORKED ON AN INTERMITTENT BASIS THROUGHOUT THE NINETEENTH CENTURY, THE MILL WAS SOLD TO THE VILLAGE OF EAST HAMPTON IN 1932 AND RESTORED TO WORKING ORDER IN 1939 BY CHARLES DOMINY, GREAT-GRANDSON OF THE ORIGINAL BUILDER.

THE HOOK WINDMILL IS ONE OF SEVERAL EARLY WIND-DRIVEN WINDMILLS STILL REMAINING ON THE EASTERN END OF LONG ISLAND WHERE THERE ARE FEW STREAMS OR SHELTERED TIDAL INLETS. THESE WINDMILLS CLEARLY ILLUSTRATE AMERICAN RELIANCE ON WOOD TECHNOLOGY AND CRAFT TRADITION, SURVIVING ALMOST TWO CENTURIES OF USE, NEGLECT AND RECENT THREATS. THE HOOK WINDMILL PROVIDES A RARE OPPORTUNITY TO DOCUMENT THE TECHNICAL SOPHISTICATION OF AMERICA'S WOODEN AGE.

THIS SURVEY IS PART OF A LONG RANGE PROGRAM BY THE HISTORIC AMERICAN ENGINEERING RECORD (HAER) TO DOCUMENT AMERICAN ENGINEERING AND INDUSTRIAL WORKS IN THE UNITED STATES. THE LONG ISLAND SURVEY OF WINDMILLS AND TIDEWELLS WAS CO-SPONSORED BY THE SUMMER OF ITS BY HAER, A PROGRAM OF THE NATIONAL PARK SERVICE AND THE SOCIETY FOR THE PRESERVATION OF LONG ISLAND ANTIQUITIES. FIELD RESEARCHERS WERE LOCATED AT SOUTHAMPTON COLLEGE, SOUTHAMPTON, NEW YORK.

THE FIELD WORK, MEASURED DRAWINGS, HISTORICAL DATA AND PHOTOGRAPHS WERE PREPARED UNDER THE GENERAL DIRECTION OF DONALD L. GEFFIN, CHIEF, HAER; AND T. ALLAN CAMP, SENIOR HISTORIAN, HAER, PROJECT DIRECTOR. THE SURVEY TEAM CONSISTED OF KATHLEEN HABFT, SUPERVISORY ARCHITECT; T. ALLAN CAMP, SUPERVISORY HISTORIAN; LAWRENCE NICOLETTI, STUDENT ARCHITECT; AND STUDENT HISTORIANS, CHRISTINE DANIELS AND KENNETH GREENS. THE AERIAL PHOTOGRAPHY WAS DONE BY H. RICHARD ANSTETH.

IS HEREBY HEREBY DEEMED TO BE THE PROPERTY OF THE NATIONAL PARK SERVICE AND IS TO BE KEPT IN ANY FORM OR BY ANY MEANS, THE WHOLE OR IN PART, FROM BEING REPRODUCED OR TRANSMITTED IN ANY FORM OR BY ANY MEANS, ELECTRONIC OR MECHANICAL, INCLUDING PHOTOCOPYING, RECORDING, OR BY ANY INFORMATION STORAGE AND RETRIEVAL SYSTEM, WITHOUT THE WRITTEN PERMISSION OF THE NATIONAL PARK SERVICE.

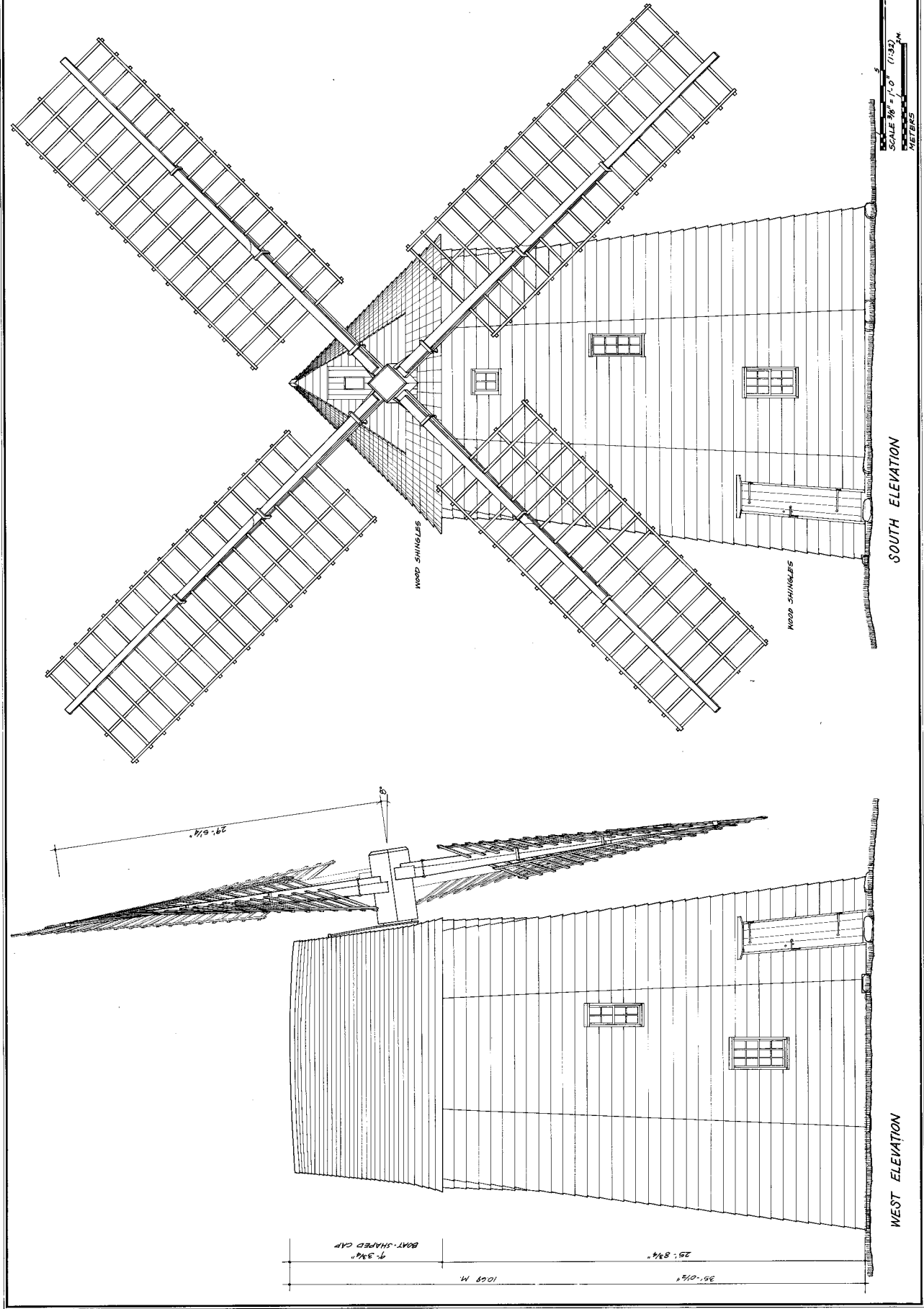


DRAWN BY: KATHLEEN HOEFT, 1979
 OFFICE OF ARCHITECTURE AND HISTORIC PRESERVATION
 LONG ISLAND WIND AND TIDE MILL SURVEY 1979
 UNITED STATES DEPARTMENT OF THE INTERIOR
 EAST HAMPTON

NAME AND LOCATION OF STRUCTURE
HOOK WIND MILL - 1806
 SUFFOLK COUNTY, LONG ISLAND
 CORNER OF ROUTE 27 AND MAIN STREET

NEW YORK
 NY-105
 RECORD NO. H.A.R.
 HISTORIC AMERICAN ENGINEERING RECORD
 SHEET 3 OF 6 SHEETS

IT IS UNDERSTOOD THAT ACCESS TO THIS MATERIAL TAKES ON THE CONDITION THAT SHOULD ANY OF
 BE USED IN ANY FORM OR BY ANY MEANS, THE AUTHOR OR DISTRIBUTOR OF SUCH MATERIAL AND THE
 HISTORIC AMERICAN ENGINEERING RECORD OF THE NATIONAL BUREAU OF STANDARDS BE GIVEN PROMPT CREDIT.

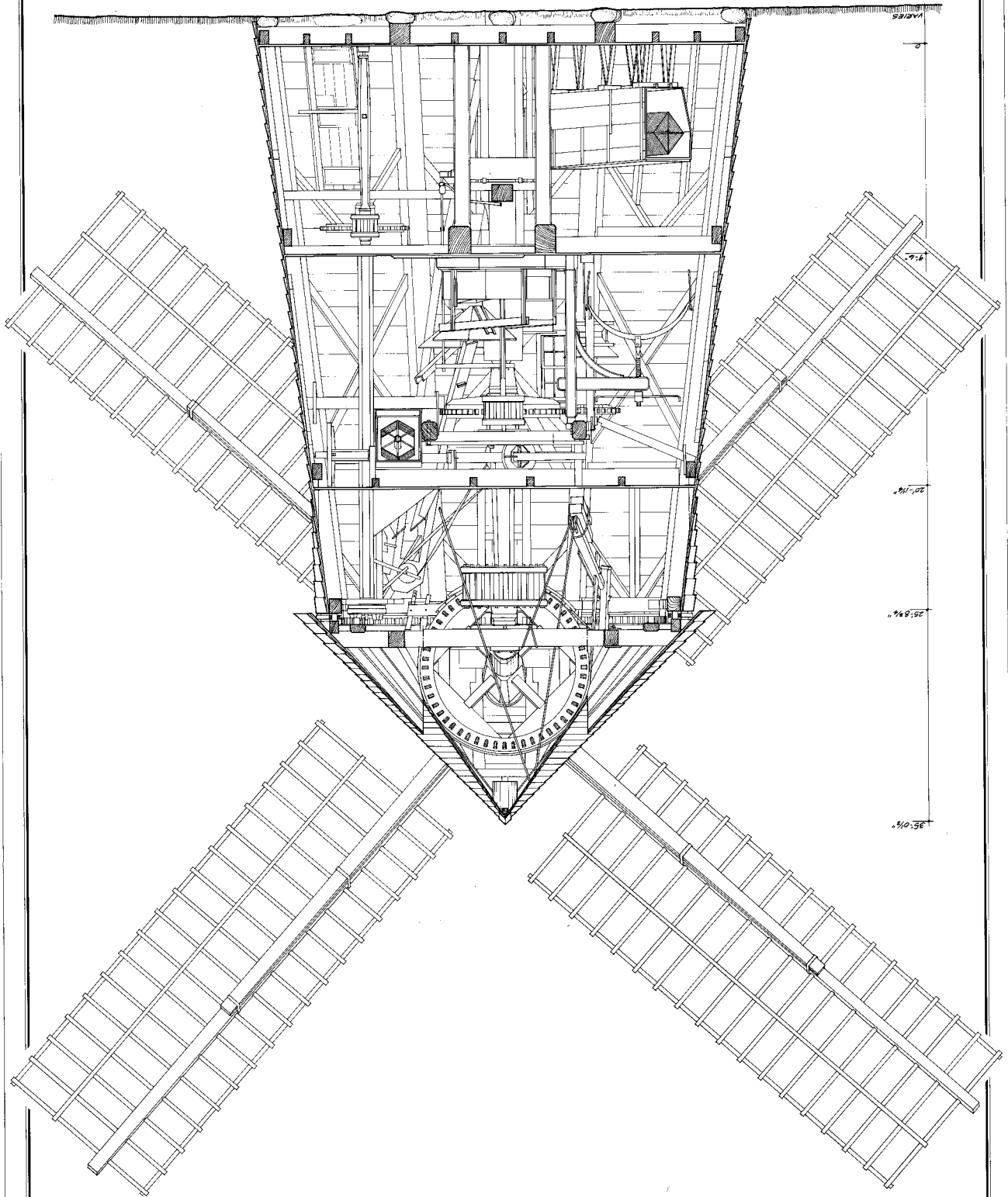


DRAWN BY: KATHLEEN HOBERT, 1975
 OFFICE OF ARCHITECTURE AND HISTORIC PRESERVATION
 LONG ISLAND WIND AND TIDE MILL SURVEY 1975
 UNITED STATES DEPARTMENT OF THE INTERIOR
 EAST HAMPTON
 SUFOLK COUNTY LONG ISLAND
 HOOK WIND MILL, 1806
 NAME AND LOCATION OF STRUCTURE
 CORNER OF ROUTE 27 AND MAIN STREET
 NEW YORK
 NY-105
 RECORD NO.
 HAER
 HISTORIC AMERICAN
 ENGINEERING RECORD
 SHEET 4 OF 6 SHEETS

It is understood that access to this material shall be on the condition that should any of the historical information herein be used in any form or by any means, the author or distributor of such material and the Historic American Engineering Record of the National Park Service be given proper credit.

SCALE 1/8" = 1'-0" (1:24)
 3 FT
 10 CM
 CENTIMETERS

SECTION A-A



FROM EAST

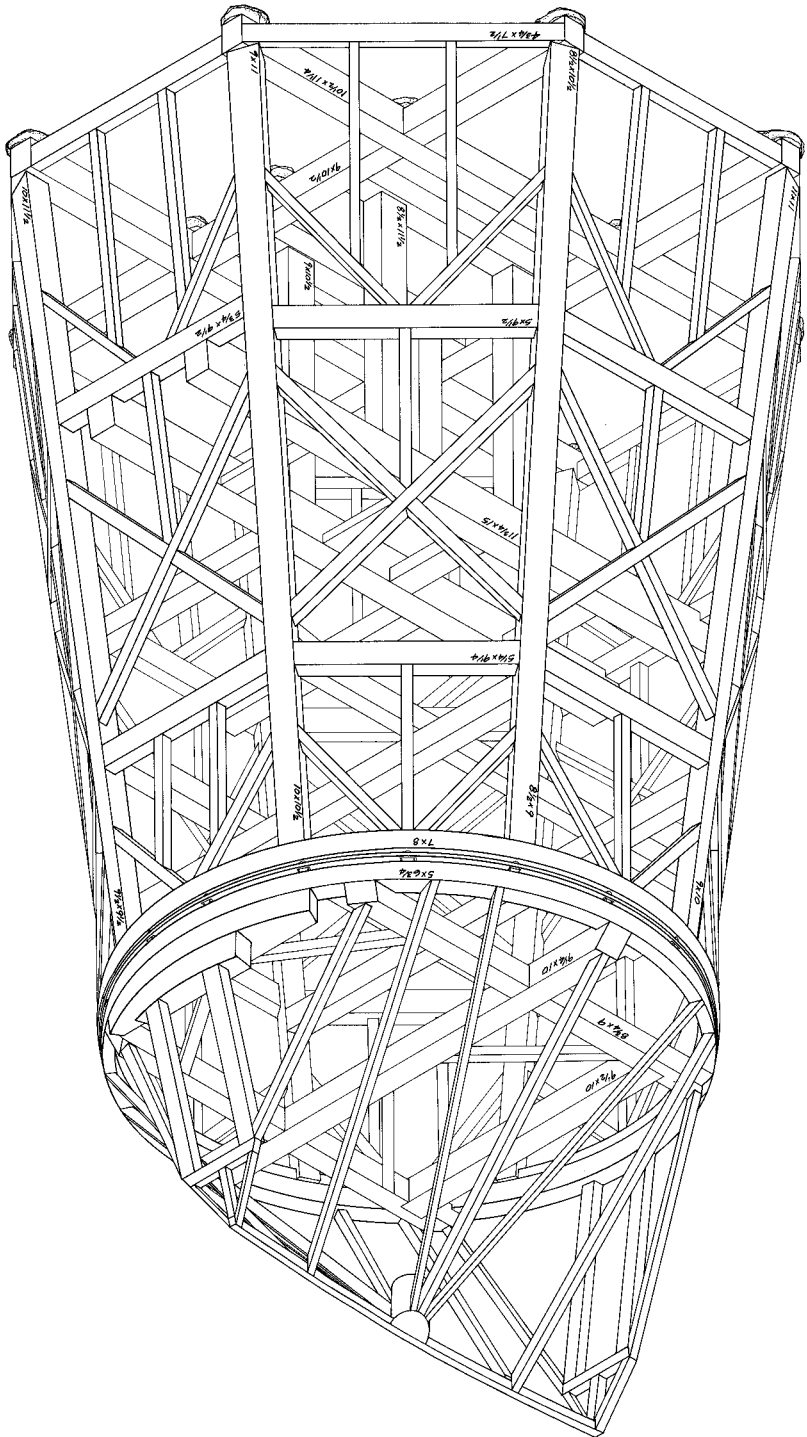
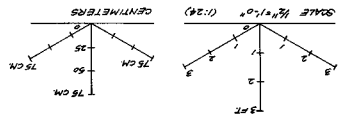
LONG ISLAND WIND AND TIDE MILL SURVEY 1975
 OFFICE OF ARCHAEOLOGY AND HISTORIC PRESERVATION
 UNDER THE SUPERVISION OF THE ARCHITECT
 EAST HAMPTON
 SUFFOLK COUNTY LONG ISLAND
 NEW YORK

HOOK WIND MILL 1806
 EAST HAMPTON
 SUFFOLK COUNTY LONG ISLAND
 NEW YORK

RECORD NO. H.A.R.
 HISTORIC AMERICAN
 ENGINEERING RECORD
 SHEET 5 OF 6 SHEETS

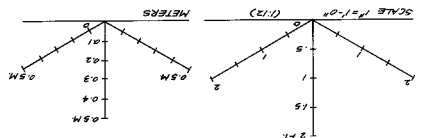
It is understood that access to this material rests on the condition that should any of it be used in any form or by any means the author of such material and the HISTORIC AMERICAN ENGINEERING RECORD of the National Park Service as all times be given proper credit.

STRUCTURAL ISOMETRIC



It is understood that access to this material shall be given only to those persons who have been authorized in writing by the National Park Service and the Hook Wind Mill in any form or by any means, the amount of reproduction of such material and the hook in any form or by any means shall be given paper cover.

HISTORIC AMERICAN ENGINEERING RECORD
HAER
NY 103
NEW YORK
HOOK WIND MILL - 1806
EAST HAMPTON
NAME AND LOCATION OF STRUCTURE
CORNER OF ROUTE 27 AND MAIN STREET
SUFFOLK COUNTY LONG ISLAND
OFFICE OF ARCHITECTURE AND HISTORIC PRESERVATION
LONG ISLAND WIND AND TIDE MILL SURVEY 1978
UNIVERSITY OF THE STATE OF NEW YORK
DESIGNED BY MATTHEW HOEFT, 1978
DRAWN BY MATTHEW HOEFT, 1978



ISOMETRIC OF PRIMARY MACHINERY

