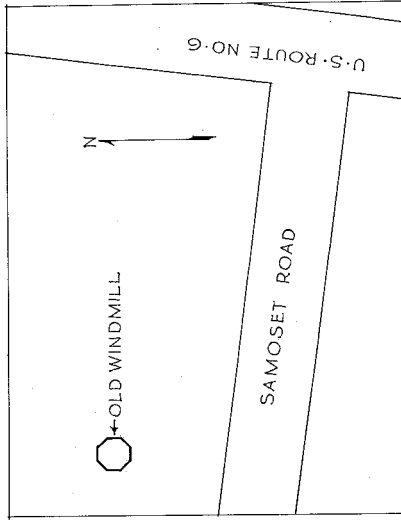


CAPE COD WINDMILL

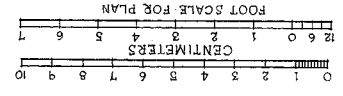
SAMOSET ROAD OFF U.S. ROUTE NO. 6
EASTHAM MASSACHUSETTS



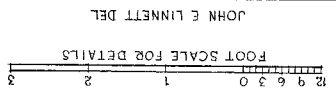
SKETCH MAP SHOWING LOCATION

BUILT 1793

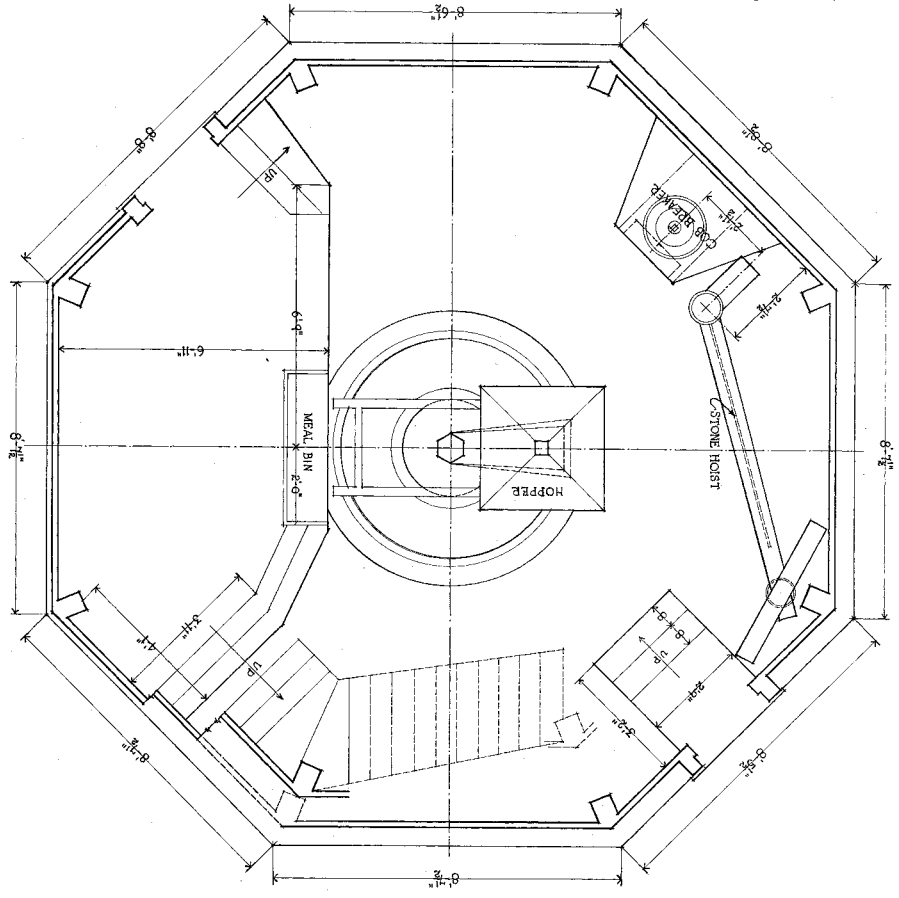
<p>HISTORIC AMERICAN BUILDINGS SURVEY U.S. DEPARTMENT OF THE INTERIOR NATIONAL PARK SERVICE BRANCH OF PLANS AND DESIGN</p>	<p>MEASURED: JAN. 5 - FEB. 28, 1934 DRAWN: MARCH 23 - APRIL 5, 1934 MEASUREMENTS CHECKED: B. A. B. APRIL 6, 1934</p>	<p>DRAWINGS APPROVED: <i>Thurgood Marshall</i> DISTRICT OFFICER DRAWINGS APPROVED: <i>S. L. Collet</i> CHIEF ARCHITECT ACCEPTED FOR LIBRARY OF CONGRESS: <i>Samuel D. Johnson</i></p>	<p>DISTRICT NO. 2 MASSACHUSETTS FRANK CHOUTEAU BROWN SURVEYOR FIELD MEASUREMENTS BY WEST PHILIP HANCOCK MASS.</p> <p>SURVEY NO. 2-21 SHEETS 1-5</p> <p>INDEX NO. MASS. 1-1-1</p>
--	--	---	--



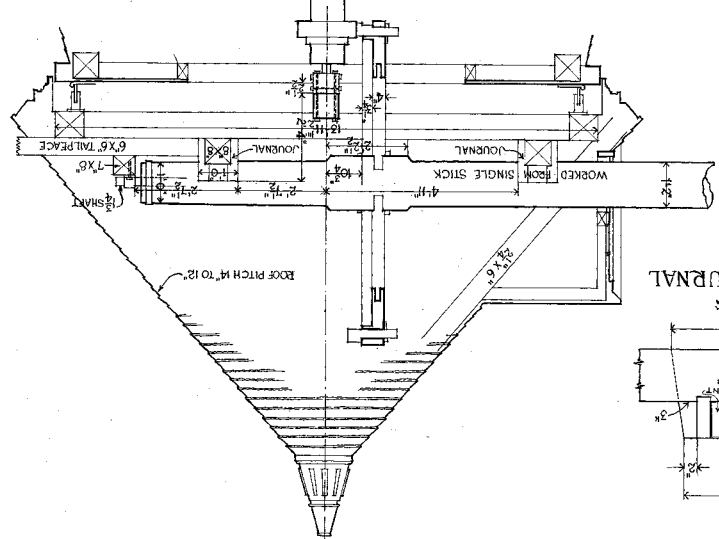
FIRST FLOOR PLAN
BUILT 1793



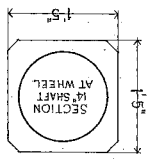
JOHN E LINNETT DEL



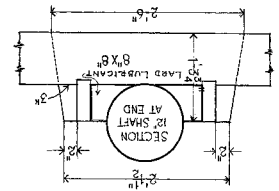
CROSS SECTION THROUGH TOP



DETAIL OF SHAFT



DETAIL OF WOODEN JOURNAL



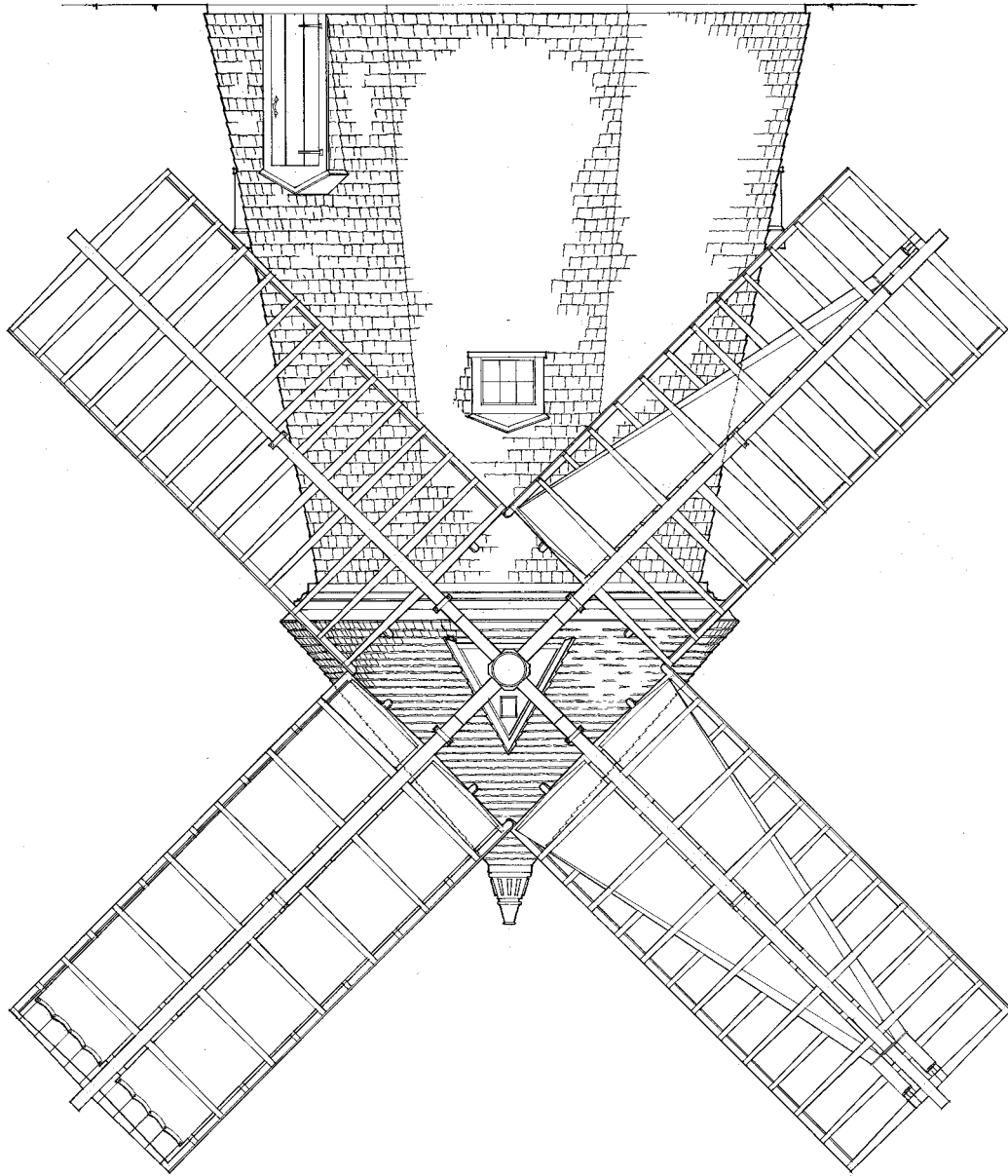
HISTORIC AMERICAN BUILDINGS SURVEY
SHEET 1 OF 5 SHEETS

SURVEY NO. 2-21

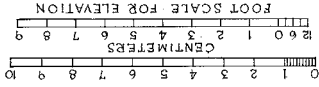
NAME OF STRUCTURE
CAPE COD WINDMILL · EASTHAM · BARNSTABLE CO · MASS ·



U.S. DEPARTMENT OF THE INTERIOR
OFFICE OF NATIONAL PARKS, BUILDINGS, AND RESERVATIONS
BRANCH OF PLANS AND DESIGN



SOUTH ELEVATION



BUILT 1793

JOHN E LINNETT DEL



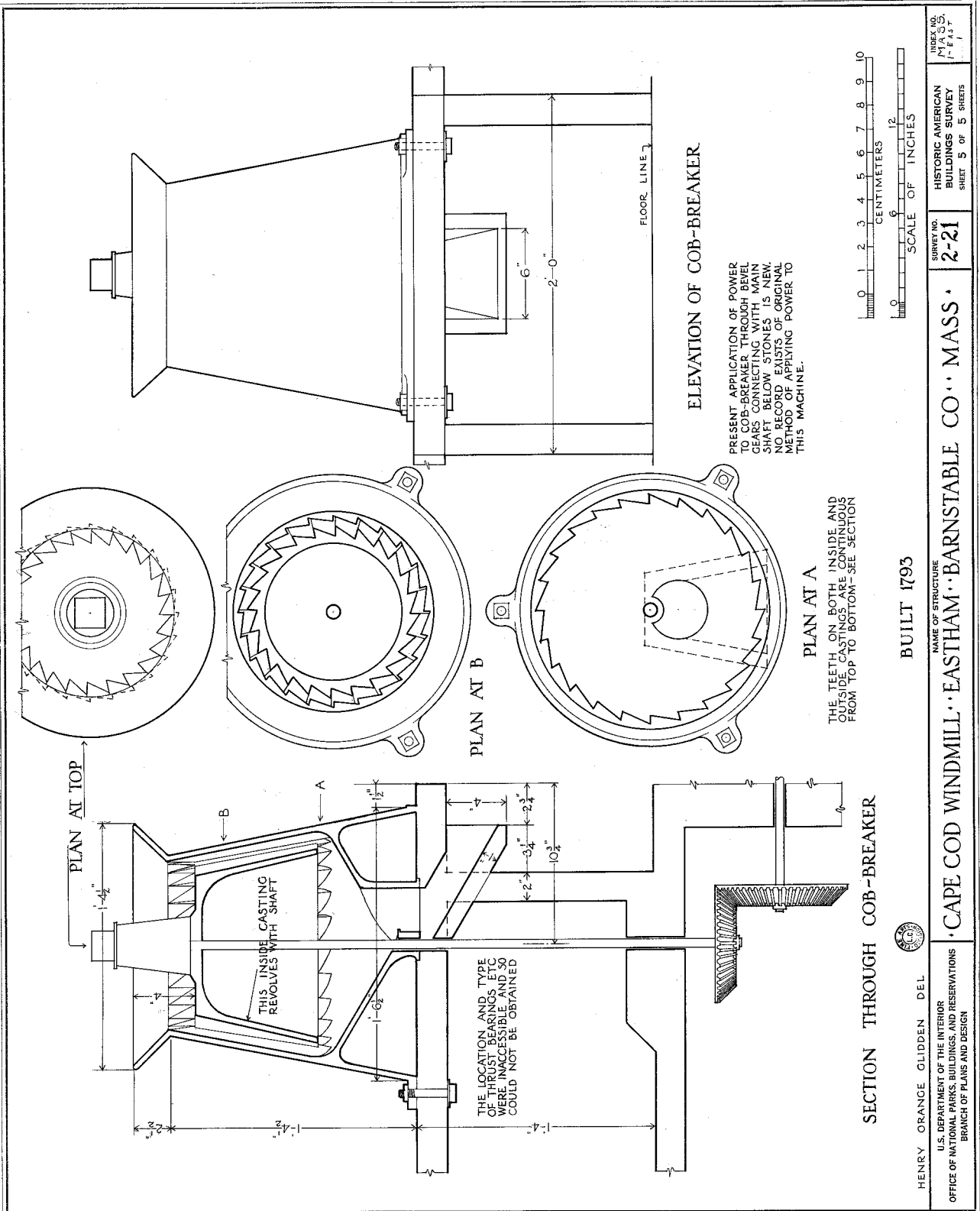
U.S. DEPARTMENT OF THE INTERIOR
OFFICE OF NATIONAL PARKS, BUILDINGS, AND RESERVATIONS
BRANCH OF PLANS AND DESIGN

NAME OF STRUCTURE · CAPE COD WINDMILL · EASTHAM · BARNSTABLE CO · MASS ·

SURVEY NO. · 2-21

HISTORIC AMERICAN
BUILDINGS SURVEY
SHEET 2 OF 5 SHEETS

NEW YORK
M.A.S.S.
1-1-1931



HENRY ORANGE GLIDDEN DEL.

U.S. DEPARTMENT OF THE INTERIOR
OFFICE OF NATIONAL PARKS, BUILDINGS, AND RESERVATIONS
BRANCH OF PLANS AND DESIGN

BUILT 1793

NAME OF STRUCTURE
CAPE COD WINDMILL · EASTHAM · BARNSTABLE CO · MASS ·

SURVEY NO. 2-21

HISTORIC AMERICAN BUILDINGS SURVEY
SHEET 5 OF 5 SHEETS

INDEX NO.
A 1 5 5
1 1 1