

THE BEEBE WINDMILL - 1820

BRIDGEHAMPTON, LONG ISLAND, NEW YORK



LOCATION MAP
 WITH COORDINATES: 18 227240-4539130

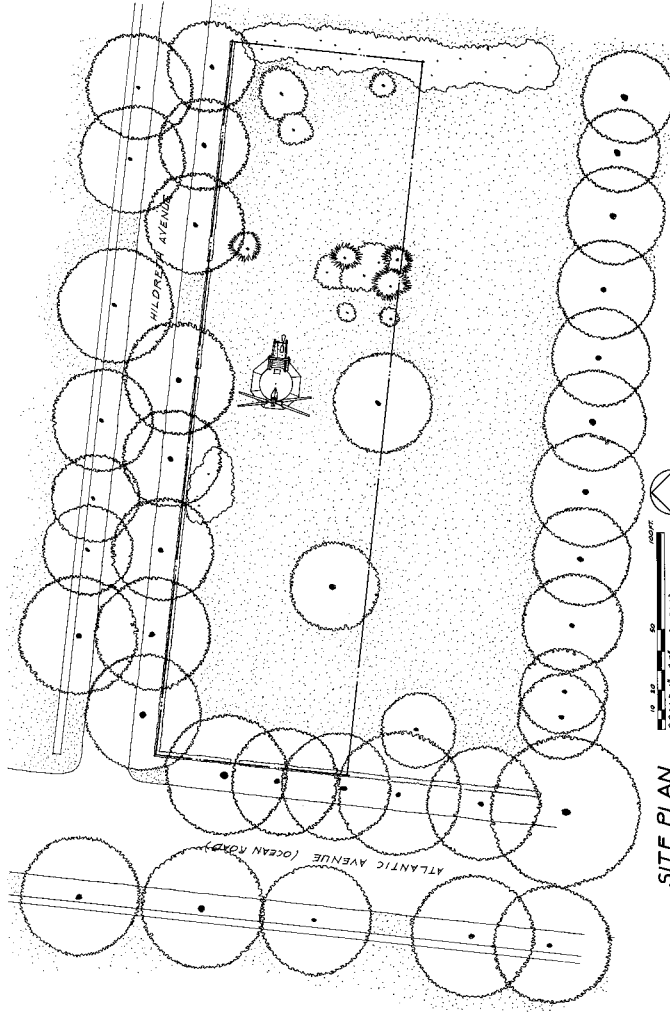
THIS REMARKABLE WINDMILL, FIRST ERRECTED NEAR SAG HARBOR IN 1820, WAS MOVED TO BRIDGEHAMPTON IN 1837, AND THEN TO EASTHAMPTON IN 1893, WHERE IT RAN ON STEAM AS WELL AS WIND. OPERATION OF THE MILL CEASED IN 1911 BECAUSE OF STORM DAMAGE, AND IN 1915 ITS LAST PRIVATE OWNER MOVED THE STRUCTURE TO ITS PRESENT SITE. TODAY THE BUILDING IS OWNED BY THE TOWN OF SOUTHAMPTON.

A SMOCK MILL WITH A STONE FOUNDATION AND FOUR-STORY TOWER, THE BEEBE WINDMILL IS PARTICULARLY SIGNIFICANT FOR ITS CAST-IRON GEARING AND FOR ITS FANTAIL. SOME OF THE GEARING IS ALL CAST-IRON, AS IN THE MALLOWER AND THE AUXILIARY DRIVE GEAR. OTHER GEARING IS A COMPOSITE OF IRON AND WOOD. THE GREAT SPAUR WHEEL AND THE STONE NUTS, FOR INSTANCE, ARE CAST-IRON WHEELS WITH WOODEN SPAUR COGS OR TEETH. IN AN OPPOSITE APPLICATION, SEEN IN THE BRAKE WHEEL AND IN THE CURB TRACK, IRON BEVELED FACE GEARS ARE ATTACHED TO A WOODEN BASE. ALL OF THE SHAFTS AND DRIVES IN THE FANTAIL, WHICH TURNED THE CAP AUTOMATICALLY INTO THE WIND, ARE MADE OF CAST IRON.

ONE OF LONG ISLAND'S MORE RECENT WINDMILLS, THE BEEBE IS AN IMPORTANT EXAMPLE OF AMERICAN TECHNOLOGY IN A TRANSITIONAL PERIOD. IT INCLUDES EVERY COMBINATION OF WOOD AND IRON GEARING AND SHAFTING, AND THE MANY LOCATIONS FOR THE MILL TESTIFY TO ITS CONTINUING UTILITY THROUGHOUT THE NINETEENTH CENTURY. TODAY THIS IMPORTANT STRUCTURE, ONE OF ONLY ELEVEN STILL EXISTING ON LONG ISLAND, IS THE ONLY WINDMILL WITH COMPOUND IRON AND WOOD GEARINGS. THE BEEBE WINDMILL THUS MARKS IN ITS OWN WAY THE END OF AMERICA'S WOODEN AGE, AND THE BEGINNING OF THE ERA OF IRON AND STEAM.

THIS PROJECT IS PART OF A LONG-RANGE PROGRAM BY THE HISTORIC AMERICAN ENGINEERING RECORD (HAER) TO DOCUMENT ENGINEERING AND INDUSTRIAL WORKS IN THE UNITED STATES. THIS STUDY OF LONG ISLAND WINDMILLS AND TOWERMILLS WAS SO-SUPPORTED DURING THE SUMMER OF 1976 BY HAER, A PROGRAM OF THE NATIONAL PARK SERVICE, AND THE SOCIETY FOR THE PRESERVATION OF LONG ISLAND ANTIQUITIES. FIELD HEADQUARTERS WERE LOCATED AT SOUTHAMPTON COLLEGE, SOUTHAMPTON, NEW YORK.

THE FIELD WORK, MEASURED DRAWINGS, HISTORICAL DATA AND PHOTOGRAPHS WERE PREPARED UNDER THE GENERAL DIRECTION OF DOUGLAS L. GRIFFIN, CHIEF, HAER, AND T. ALAN COMPTON, SENIOR HISTORIAN, HAER. PROJECT DIRECTOR, THE PROJECT ARCHITECTS WERE KATHLEEN HOEFT, SUPERVISOR, AND CHALLENGER G. LONG, JR.



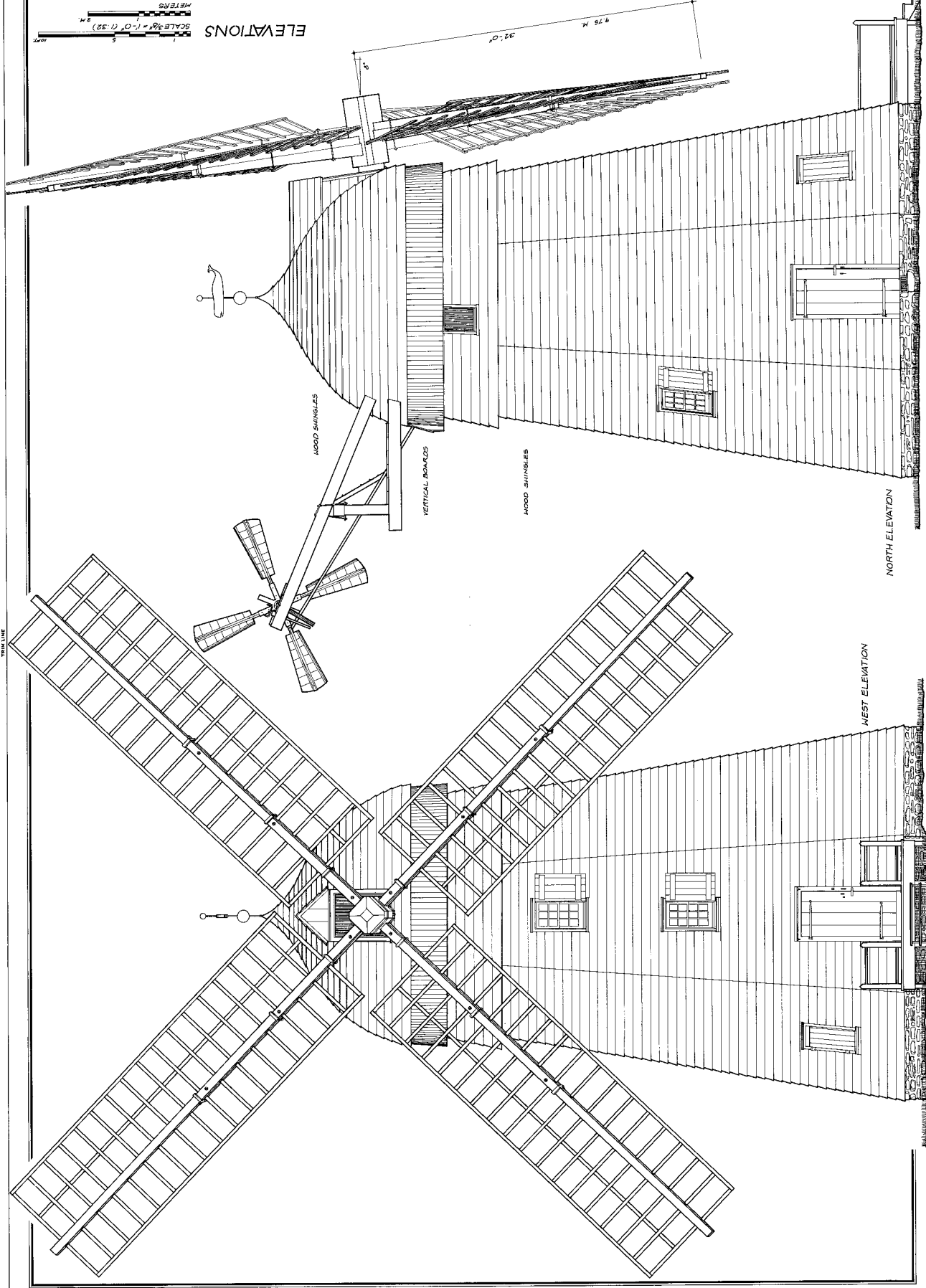
SITE PLAN

LONG ISLAND WIND AND TIDE MILL SURVEY 1976
 OFFICE OF ARCHITECTURE AND HISTORIC PRESERVATION
 NATIONAL PARK SERVICE
 UNITED STATES DEPARTMENT OF THE INTERIOR
 BRIDGEHAMPTON

BEEBE WINDMILL - 1820
 OCEAN ROAD AND HILBERT AVENUE
 SUFFOLK COUNTY LONG ISLAND
 NEW YORK

SHEET 3 OF 6
 HISTORIC AMERICAN
 ENGINEERING RECORD
 NY - 67

DRAWN BY: KATHLEEN S. HOEFT, MPA
 SCALE: 3/8" = 1'-0" (1:32)
 METERS



TRAIL LINE

ELEVATIONS

NORTH ELEVATION

WEST ELEVATION

HOOD SHINGLES

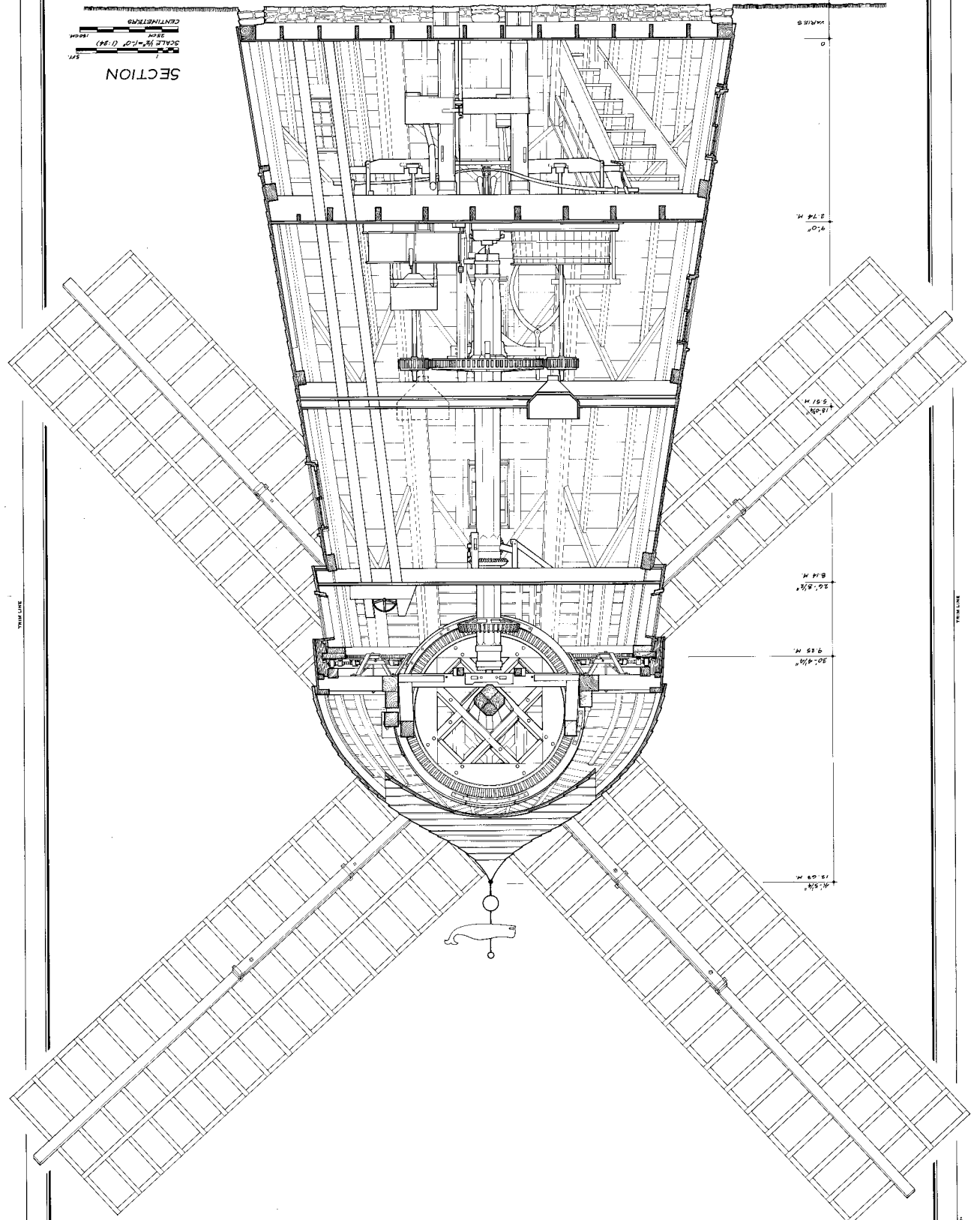
VERTICAL BOARDS

HOOD SHINGLES

DELINEATED BY: CHAMBERG & LOMBO, N.Y. 1926
 LONG ISLAND WIND AND TIDE MILL SURVEY 1916
 OFFICE AND HEADQUARTERS OF THE SURVEY
 NATIONAL PARK SERVICE
 BRIDGEHAMPTON

BEBE WINDMILL - 1820
 SUFOLK COUNTY LONG ISLAND
 OCEAN ROAD AND HILBERT AVENUE
 NEW YORK

SHEET 4 OF 6
 HISTORIC AMERICAN
 ENGINEERING RECORD
 N.Y. 67

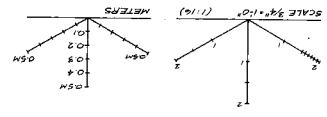


DRAWING NO. 1000
 1926

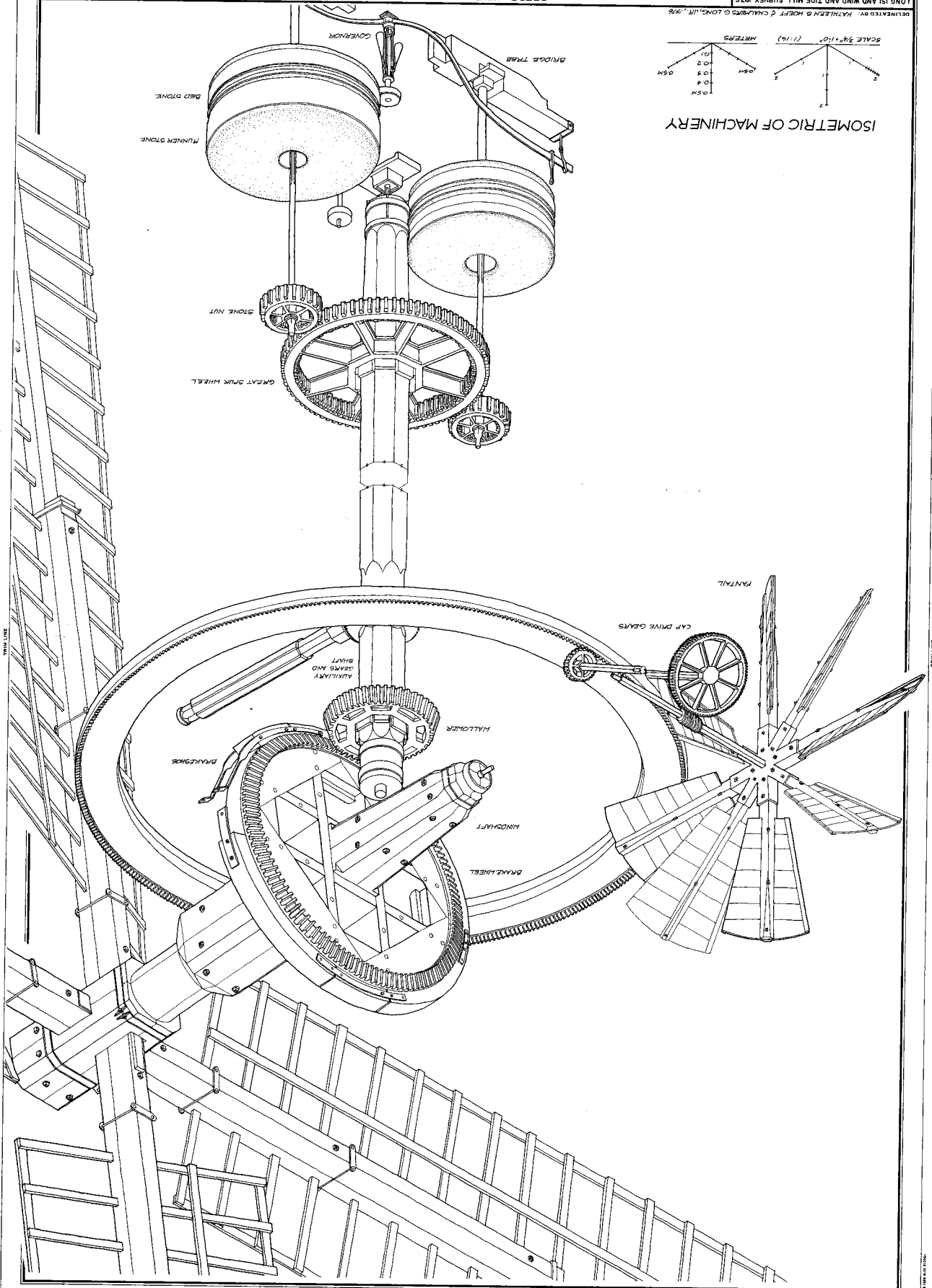
LONG ISLAND WIND AND TIDE SURVEY 1876
 OFFICE OF AERONAUTICS AND METEOROLOGICAL SERVICE
 NATIONAL BUREAU OF STANDARDS
 BRIDGEHAMPTON

DESIGNED BY: KATHLEEN & HOBART & CHARLES O. LONG, JR., 1876
 BEEBE WINDMILL - 1820
 OCEAN ROAD AND HILDETH AVENUE
 SUFFOLK COUNTY LONG ISLAND
 NEW YORK

SHEET 5 OF 6
 HISTORIC AMERICAN ENGINEERING RECORD
 NY - 67



ISOMETRIC OF MACHINERY

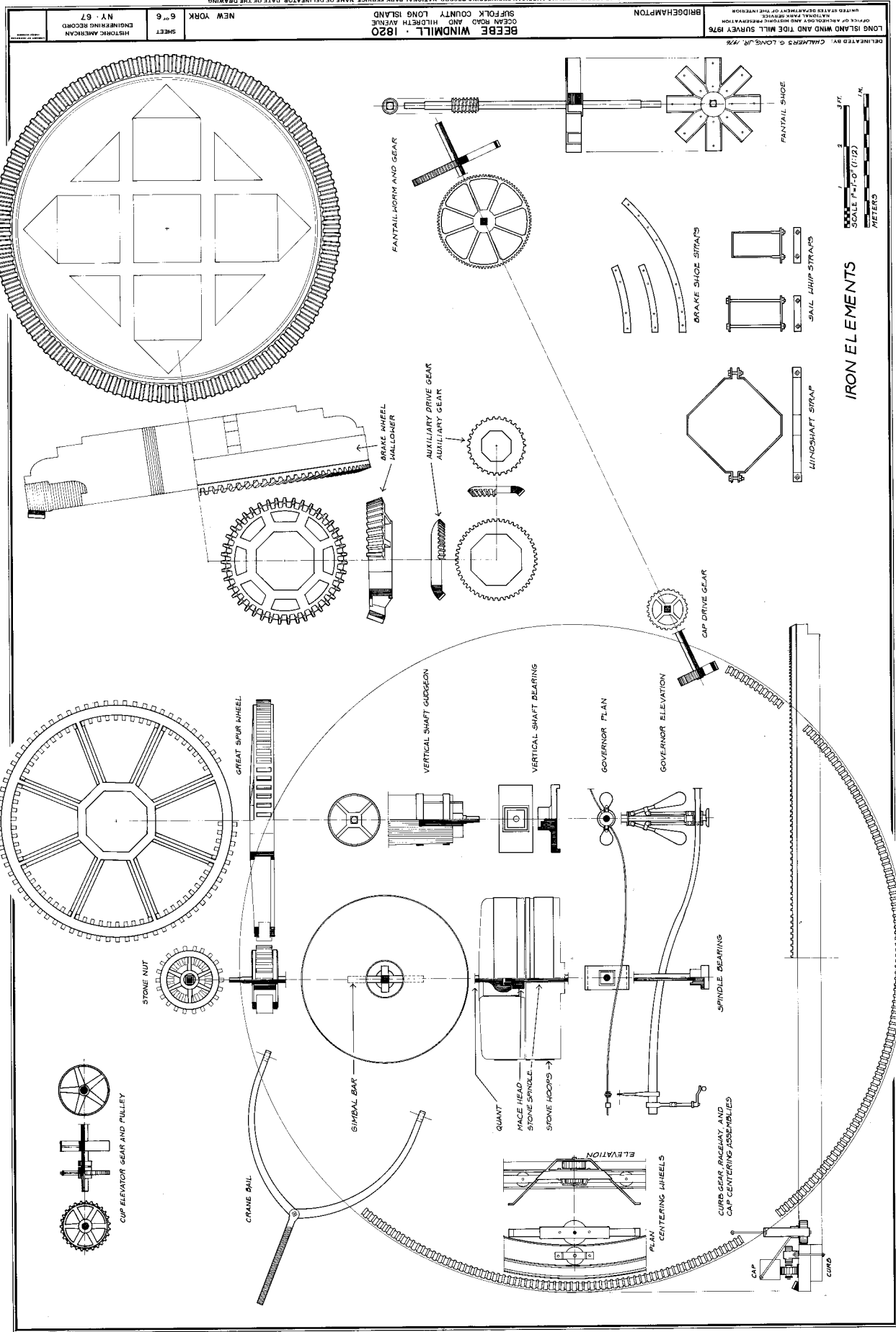


MADE AT THE NATIONAL BUREAU OF STANDARDS

FRONT LINE

FRONT LINE

FRONT LINE



FRONT LINE